

CSV • CSI

Features 1.Connector type 2.For medium and high pressure

- Connector type of the "HS series" flat-type medium and high pressure sensor
- Easy to handle and highly maintainable
- Flat-type diaphragm ideal for measuring the pressure of viscous fluid
- Wetted part easy to clean and ideal for measuring the pressure of medicinal solution and other types of fluid



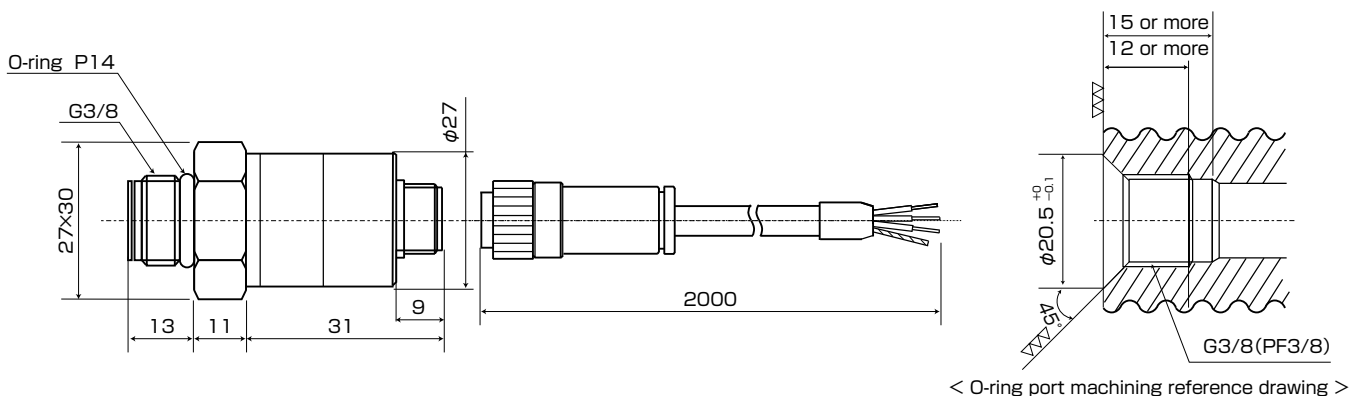
Specifications

| Model | CSV • CSIR | | | | | |
|-------------------------------|---|-----------|-----------|------------|------------|------------|
| | -002MP | -003MP | -005MP | -010MP | -020MP | -035MP |
| Rated pressure | 0 to 2MPa | 0 to 3MPa | 0 to 5MPa | 0 to 10MPa | 0 to 20MPa | 0 to 35MPa |
| Pressure type | Shield gauge pressure | | | | | |
| Overpressure | CSV : 200% of the rated pressure / CSIR : 150% of the rated pressure | | | | | 140% |
| Wetted part material | Diaphragm : SUS316L Pressure port : SUS316 O-ring : Fluororubber (standard) | | | | | |
| Sealing liquid | Silicone oil | | | | | |
| Applicable media | Gas and fluid (media not damaging the wetted part material) | | | | | |
| Power supply | 12 to 28VDC | | | | | |
| Output | CSV : 1 to 5VDC / CSIR : 4 to 20mADC | | | | | |
| Current consumption | CSV : 6mA or less | | | | | |
| Load resistance | CSV : 1k Ω or more / CSIR : 600 Ω or less (at power of 24 VDC) | | | | | |
| Responsiveness | 5msec or less | | | | | |
| Accuracy (linearity) | ± 0.5% F.S. or less * 1 (± 0.3% F.S. or less) | | | | | |
| Temperature characteristics | ± 0.05% F.S. / °C or less (0 to 60°C) | | | | | |
| Compensated temperature range | 0 to 60°C | | | | | |
| Operating temperature range | - 20 to 80°C (no freezing allowed) | | | | | |
| Operating humidity range | 35 to 85% RH (no dew condensation allowed) | | | | | |
| Pressure connection port | G3/8 * 2 | | | | | |
| Cable | φ 6 vinyl (with connector) : 2000mm (standard) Shield cable | | | | | |
| Structure | IP66 | | | | | |
| Insulation resistance | 100M Ω or more / 500VDC | | | | | |
| Withstand voltage | 500VAC, 1 minute | | | | | |
| Vibration resistance | 98.1m / s ² , 2 hours (X, Y, and Z directions) | | | | | |
| Weight | Approx 200g | | | | | |

* 1. We also manufacture high-accuracy pressure sensors (accuracy: ± 0.25% F.S. or less).

* 2. Conversion joints (models: G3R3 and G3R2) and damper joints (model: G3R3-DSM5) are available. (See page 53 of the catalog.)

Dimensions (Units : mm)



Cables / wires

| | CSV | CSIR |
|-------|----------------|----------------|
| Red | Power supply + | Power supply + |
| White | Output | Power supply - |
| Black | Common | — |

Model

| | | | | | | | | | | |
|--------------------|--------------------|-------------------------|----------------------------------|------------------|---------------------------|-------------------------|---|-----------|---|----------|
| C | S | I | R | - | 003 | MP | - | 02 | - | V |
| Type | Output mode | Special | Pressure range | Unit of pressure | Cable length | O-ring | | | | |
| V : Voltage | I : Current | R : Exposed type | K : Protection cover type | MP : MPa | 02 : 2m (standard) | V : Fluororubber | | | | |
| | | | | | 05 : 5m | N : NBR | | | | |
| | | | | | 10 : 10m | X : Other | | | | |