



## AH-20 • AH-10

- Anchor used to fix an immersion-type water level sensor at the bottom of a river or tank
- An optional chain can be attached.

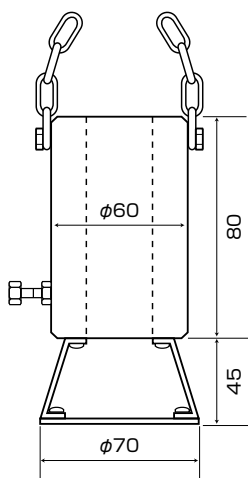
### Anchor head

#### Model : AH-20

- Materials : SUS304
- Weight : 1.5kg



Dimensions (Units : mm)

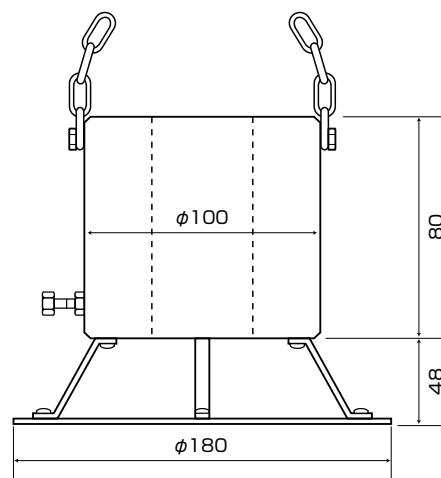


#### Model : AH-10

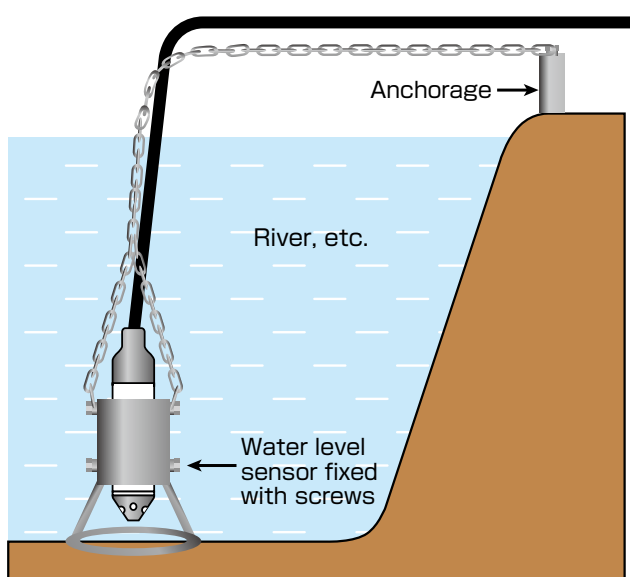
- Materials : SUS304
- Weight : 5kg



Dimensions (Units : mm)



### Usage example



### Applicable products

HM-200/300 series	.....See page 61.
HM-600/700 series	.....See page 64.
HM-900/920 series	.....See page 65.
HM-8700/8600 series	.....See page 66.

### Model

A H - 20 - 05

Weight

10 : 5kg

20 : 1.5kg

Chain Length

Space : None

02 : 2m

05 : 5m

10 : 10m