

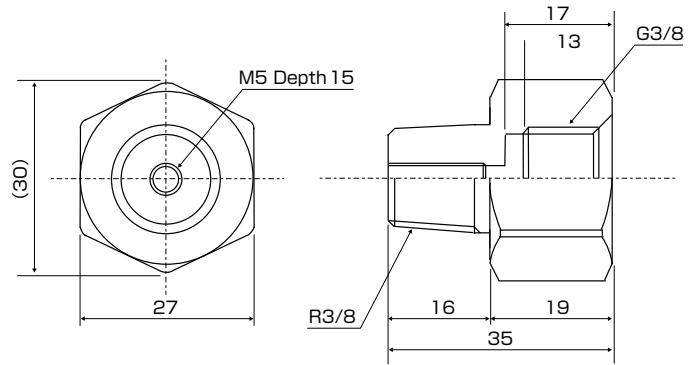
G3R3 • G3R3-DSM5 • G3R2

Conversion joint



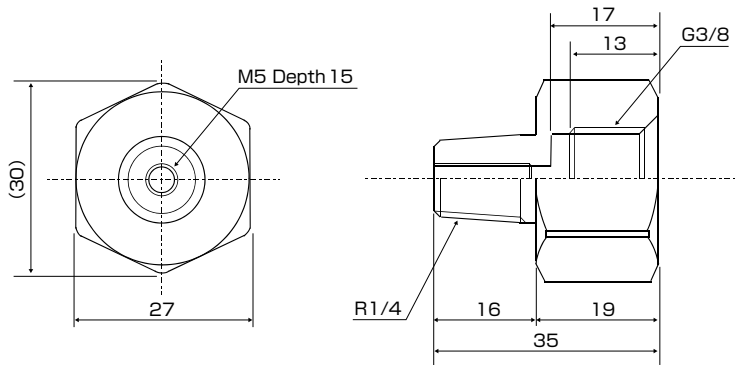
Model : **G3R3**
● Material : SUS316

Dimensions (unit : mm)



Model : **G3R2**
● Material : SUS316

Dimensions (unit : mm)

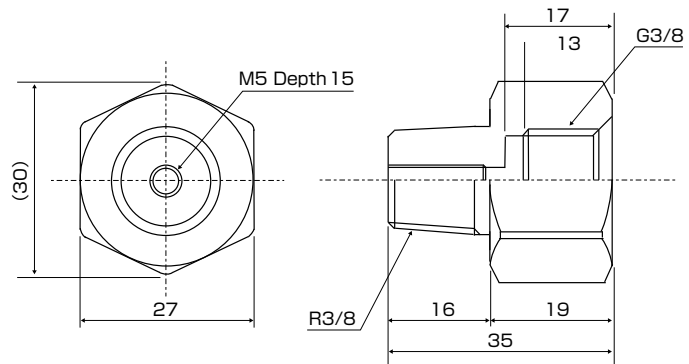


Damper Joint



Model : **G3R3-DSM5**
● Material : SUS316

Dimensions (unit : mm)



Applicable products			
HS SeriesCatalog P.41	LSI SeriesCatalog P.47
CS SeriesCatalog P.44	JW-5000 SeriesCatalog P.50
MSI SeriesCatalog P.45		