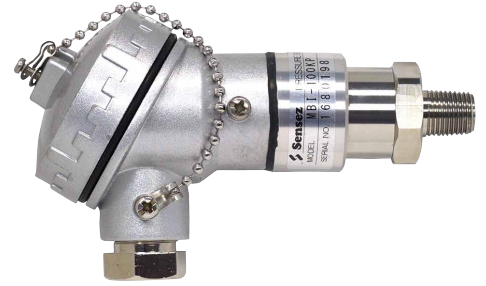




MBI

Features 1. Terminal box type 2. Welded structure

- Terminal box type of the "HB series" absolute pressure sensor with a welded structure
- Outdoor specification / Waterproof IP67 structure
- Support of a wide range of media such as gas and medicinal solution
- Output signal of 4 to 20 mADC from a built-in amplifier circuit

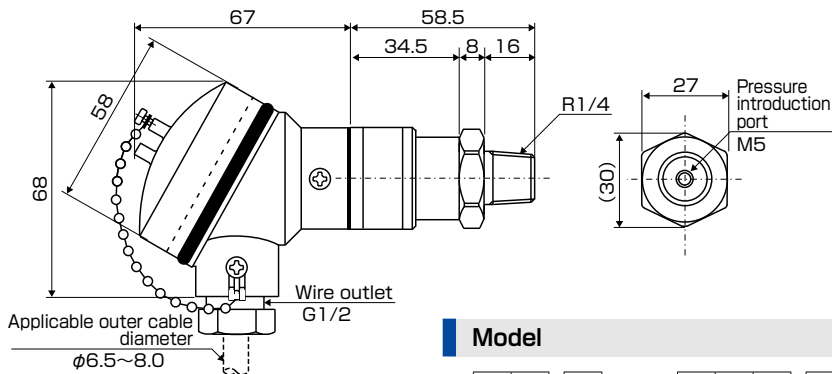


Specifications

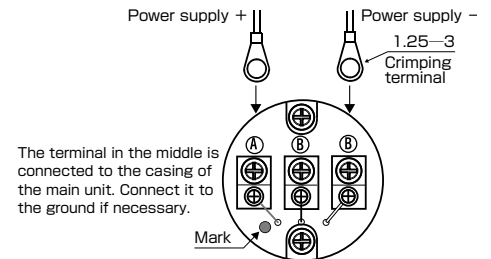
Model	MBI		
	-100KP	-300KP	-600KP
Rated pressure	0 to 100kPa abs	0 to 300kPa abs	0 to 600kPa abs
Pressure type	Absolute pressure		
Overpressure	150% of the rated pressure		
Wetted part material	Diaphragm : SUS316L Pressure port : SUS316		
Sealing liquid	Silicone oil		
Applicable media	Gas and fluid (media not damaging the wetted part material)		
Power supply	12 to 28VDC		
Output	4 to 20mADC		
Load resistance	600 Ω or less (at power of 24 VDC)		
Responsiveness	5msec or less		
Accuracy (linearity)	± 0.5% F.S. or less * 1 (± 0.3% F.S. or less)		
Temperature characteristics	± 0.05% F.S. / °C or less (0 to 60°C)		
Compensated temperature range	0 to 60°C		
Operating temperature range (Measurement medium temperature)	- 20 to 80°C (no freezing allowed) - 20 to 100°C (no freezing allowed)		
Operating humidity range	35 to 85% RH (no dew condensation allowed)		
Pressure connection port	R1/4 (standard) · R3/8 · R1/2 · G1/4 · G3/8		
Terminal box	Material : Aluminum die casting		
Wire outlet	G1/2 Applicable outer cable diameter : φ 6.5 to 8.0		
Structure	IP67		
Insulation resistance	100M Ω or more / 500VDC		
Withstand voltage	500VAC, 1 minute		
Vibration resistance	98.1m / s ² , 2 hours (X, Y, and Z directions)		
Weight	Approx 320g		
Impact of mounting orientation (port orientation changed from downward to sideways)	+ 0.1% F.S.		

* 1. We also manufacture high-accuracy pressure sensors (accuracy: ± 0.25% F.S. or less).

Dimensions (Units : mm)



Internal terminal block / wires



Model

M B I - 1 0 0 K P - R 3

- Type: **I** : Current
- Pressure range: **KP** : kPa, **MP** : MPa
- Unit of pressure: **KP** : kPa, **MP** : MPa
- Pressure connection port: **Space** : R1/4 (standard), **R3** : R3/8, **R4** : R1/2, **G2** : G1/4, **G3** : G3/8