



## MJI

### Features 1.Terminal box type 2.Sanitary type

- Terminal box type of the "HJ series" sanitary pressure sensor
- IDF clamp 2S mounting structure (ferrule type)
- High precision and excellent durability for a wide range of pressures
- Output signal of 4 to 20 mADC from a built-in amplifier circuit



### Specifications

Model	MJI						
	N-100KP	-020KP	-050KP	-100KP	-300KP	-500KP	-001MP
Rated pressure * 1	0 to -100kPa	0 to 20kPa	0 to 50kPa	0 to 100kPa	0 to 300kPa	0 to 500kPa	0 to 1MPa
Pressure type	Gauge pressure * 2 * 3						
Overpressure	150% of the rated pressure						
Wetted part material	Diaphragm : SUS316L Pressure port : SUS316						
Sealing liquid	Silicone oil						
Applicable media	Gas and fluid (media not damaging the wetted part material)						
Power supply	12 to 28VDC						
Output	4 to 20mADC						
Load resistance	600 Ω以下 (at power of 24 VDC)						
Responsiveness	5msec or less						
Accuracy (linearity)	± 0.5% F.S. or less * 4 (± 0.3% F.S. or less)						
Temperature characteristics	± 0.05% F.S. /°C or less (0 to 60°C)						
Compensated temperature range	0 to 60°C						
Operating temperature range	- 10 to 80°C (no freezing allowed)						
Operating humidity range	35 to 85% RH (no dew condensation allowed)						
Pressure connection port	IDF clamp 2S mounting structure (ferrule type)						
Terminal box	Material : Aluminum die casting						
Wire outlet	G1/2 Applicable outer cable diameter : φ 6.5 to 8.0						
Structure	IP67						
Insulation resistance	100M Ω or more / 500VDC						
Withstand voltage	500VAC, 1 minute						
Vibration resistance	98.1m / s <sup>2</sup> , 2 hours (X, Y, and Z directions)						
Weight	Approx 380g						
Impact of mounting orientation (port orientation changed from downward to sideways)	+ 0.1% F.S.	+ 0.5% F.S.	+ 0.3% F.S.	+ 0.1% F.S.			

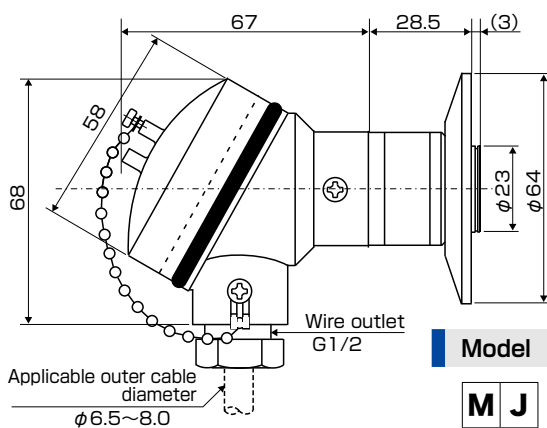
\* 1. We also manufacture compound pressure sensors (gauge pressure of 500 kPa or less).

\* 2. Make sure that the operating vacuum pressure is 10 kPa abs or more. (Operating temperature range: 0 - 60°C)

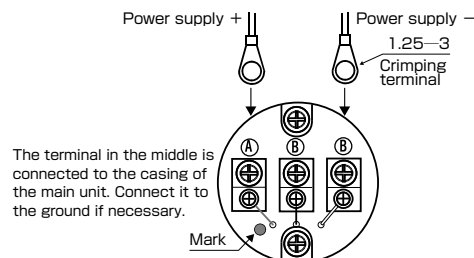
\* 3. Use a wiring cable for atmospheric pressure correction.

\* 4. We also manufacture high-accuracy pressure sensors (accuracy: ± 0.25% F.S. or less).

### Dimensions (Units : mm)



### Internal terminal block / wires



### Model

**M J I N - 1 0 0 K P**

Type Output mode Special Pressure range Unit of pressure  
**I** : Current **Space** : Positive pressure **KP** : kPa  
**N** : Negative pressure **MP** : MPa  
**C** : Compound pressure