



MTI

Features 1.Terminal box type 2.For gauge pressure

- Terminal box type of the “HT/HG series” gauge pressure sensor
- Outdoor specification / Waterproof IP67 structure
- Support of a wide range of pressure media such as water and oil
- Output signal of 4 to 20 mADC from a built-in amplifier circuit



Specifications

Model	MTI							
	N-100KP	-020KP	-050KP	-100KP	-300KP	-500KP	-001MP	-002MP
Rated pressure ※ 1	0 to -100kPa	0 to 20kPa	0 to 50kPa	0 to 100kPa	0 to 300kPa	0 to 500kPa	0 to 1MPa	0 to 2MPa
Pressure type	Gauge pressure ※ 2 ※ 3							
Overpressure	150% of the rated pressure							
Wetted part material	Diaphragm : SUS316L Pressure port : SUS316 O-ring : Fluororubber (standard)							
Sealing liquid	Silicone oil							
Applicable media	Gas and fluid (media not damaging the wetted part material)							
Power supply	12 to 28VDC							
Output	4 to 20mADC							
Load resistance	600 Ω or less (at power of 24 VDC)							
Responsiveness	5msec or less							
Accuracy (linearity)	± 0.5% F.S. or less ※ 4 (± 0.3% F.S. or less)							
Temperature characteristics	± 0.05% F.S. / °C or less (0 to 60°C)							
Compensated temperature range	0 to 60°C							
Operating temperature range	- 10 to 80°C (no freezing allowed)							
Operating humidity range	35 to 85% RH (no dew condensation allowed)							
Pressure connection port	R3/8 (standard) · G3/8 · R1/4							
Terminal box	Material : Aluminum die casting							
Wire outlet	G1/2 Applicable outer cable diameter : φ 6.5 to 8.0							
Structure	IP67							
Insulation resistance	100M Ω or more / 500VDC							
Withstand voltage	500VAC, 1 minute							
Vibration resistance	98.1m / s ² , 2 hours (X, Y, and Z directions)							
Weight	Approx 320g							
Impact of mounting orientation (port orientation changed from downward to sideways)	+ 0.1% F.S.	+ 0.5% F.S.	+ 0.3% F.S.	+ 0.1% F.S.				

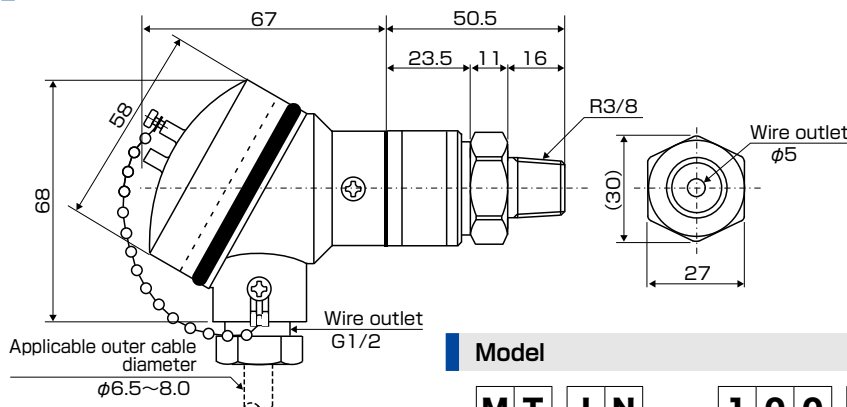
※ 1.We also manufacture compound pressure sensors (gauge pressure of 500 kPa or less).

※ 2.Make sure that the operating vacuum pressure is 10 kPa abs or more. (Operating temperature range: 0 - 60°C)

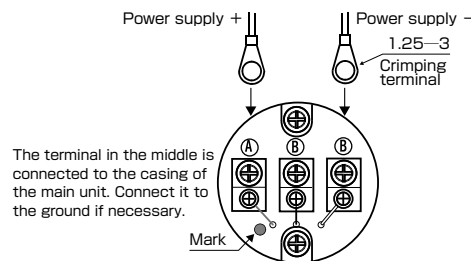
※ 3.Use a wiring cable for atmospheric pressure correction.

※ 4.We also manufacture high-accuracy pressure sensors (accuracy: ± 0.25% F.S. or less).

Dimensions (Units : mm)



Internal terminal block / wires



Model

MTIN - 100KP - V - R3

Type	Output mode	Pressure range	Unit of pressure	O-ring	Pressure connection port
I : Current	Special	KP : kPa	V : Fluororubber	Space : R1/4	R3 : R3/8 (standard)
	Space : Positive pressure	MP : MPa	N : NBR	R3 : R3/8 (standard)	G3 : G3/8
	N : Negative pressure		X : Other		
	C : Compound pressure				